

#2
2-27-01
2711

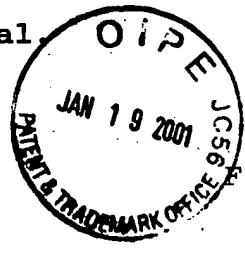
IN THE UNITED STATES
PATENT AND TRADEMARK OFFICE

PATENT APPLICATION

Applicant(s): Vogel et al.

Case no.: DIVA 244

Serial No.: 09/540,178



Filed: March 31, 2000

Group Art Unit: 2711

Title: **METHOD AND APPARATUS OF LOAD SHARING AND IMPROVING
FAULT TOLERANCE IN AN INTERACTIVE VIDEO DISTRIBUTION
SYSTEM**

ASSISTANT COMMISSIONER FOR PATENTS
Washington, D.C. 20231

Att: Official Draftsman

S I R:

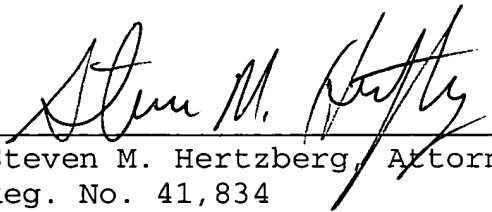
RECEIVED
JAN 23 2001
TC 2600 MAILROOM

SUBMISSION OF FORMAL DRAWINGS

The applicants have submitted herewith (10) ten sheets of formal drawings (FIGs 1A-8) in connection with the above-captioned application.

Respectfully submitted,

1/15/01


Steven M. Hertzberg, Attorney
Reg. No. 41,834
(732) 530-9404

Thomason, Moser & Patterson, LLP
595 Shrewsbury Avenue, First Floor
Shrewsbury, New Jersey 07702

Please continue to send correspondence to:

Thomason, Moser & Patterson, LLP
595 Shrewsbury Avenue
Suite 100
Shrewsbury, NJ 07702



CERTIFICATE OF MAILING under 37 C.F.R. 1.8(a)

I hereby certify that this correspondence is being deposited on January 16, 2001 with the United States Postal Service as first class mail, with sufficient postage, in an envelope addressed to the Assistant Commissioner for Patents, Washington, D.C. 20231.

Michael Cival
Signature

1-16-01
Date of signature

RECEIVED
JAN 23 2001
TC 2600 MAILROOM

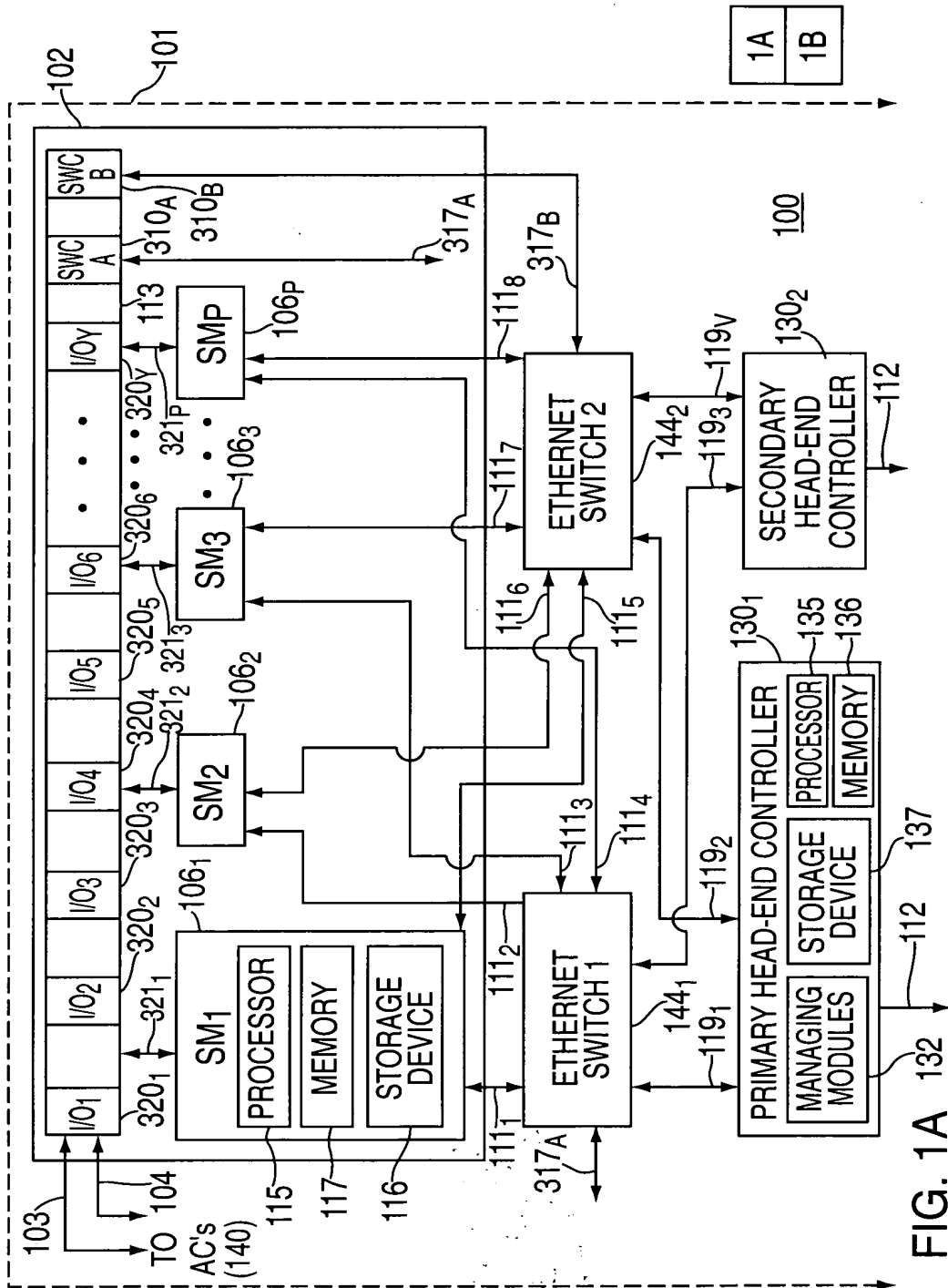


FIG. 1A 132

1A
1B



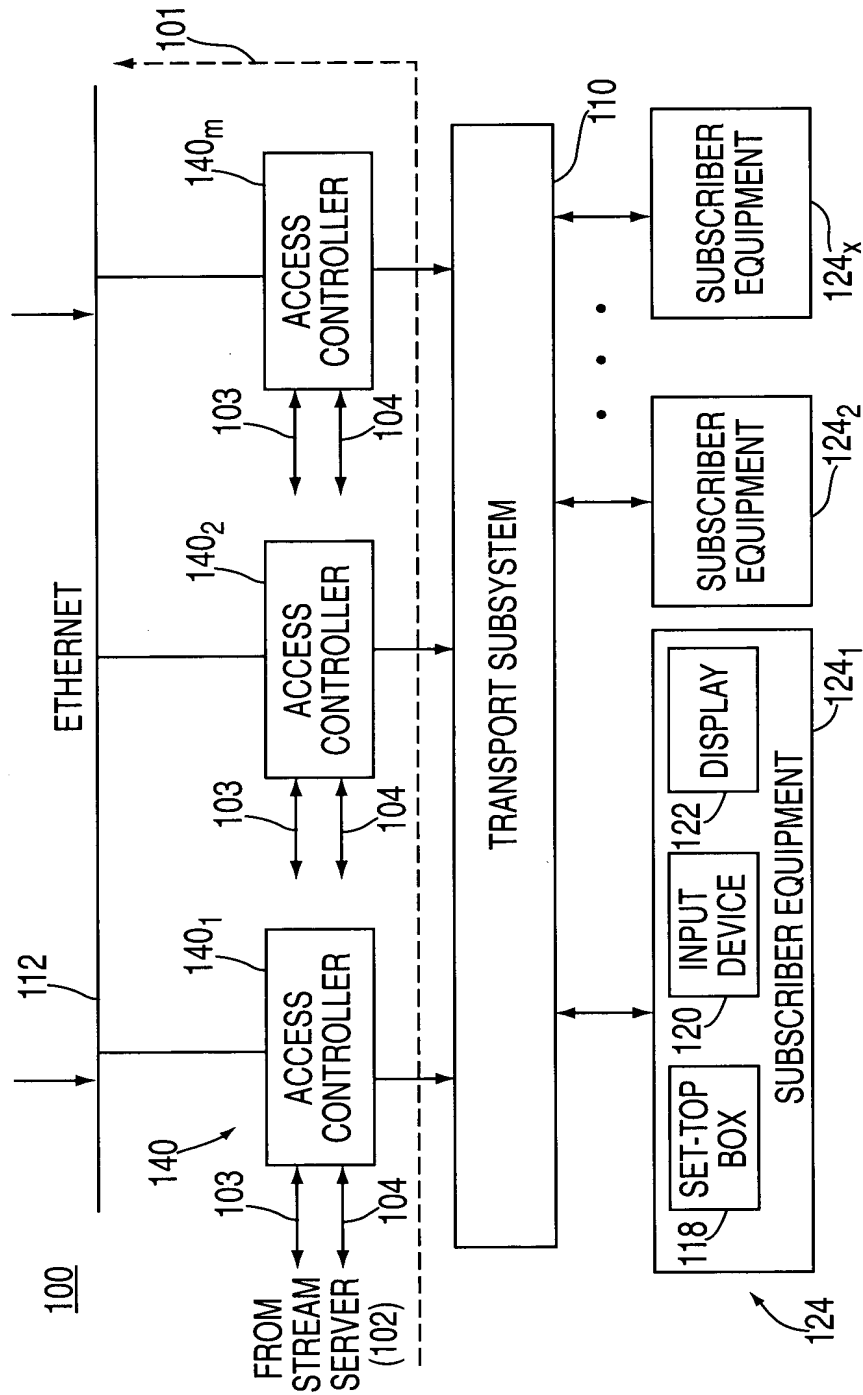


FIG. 1B



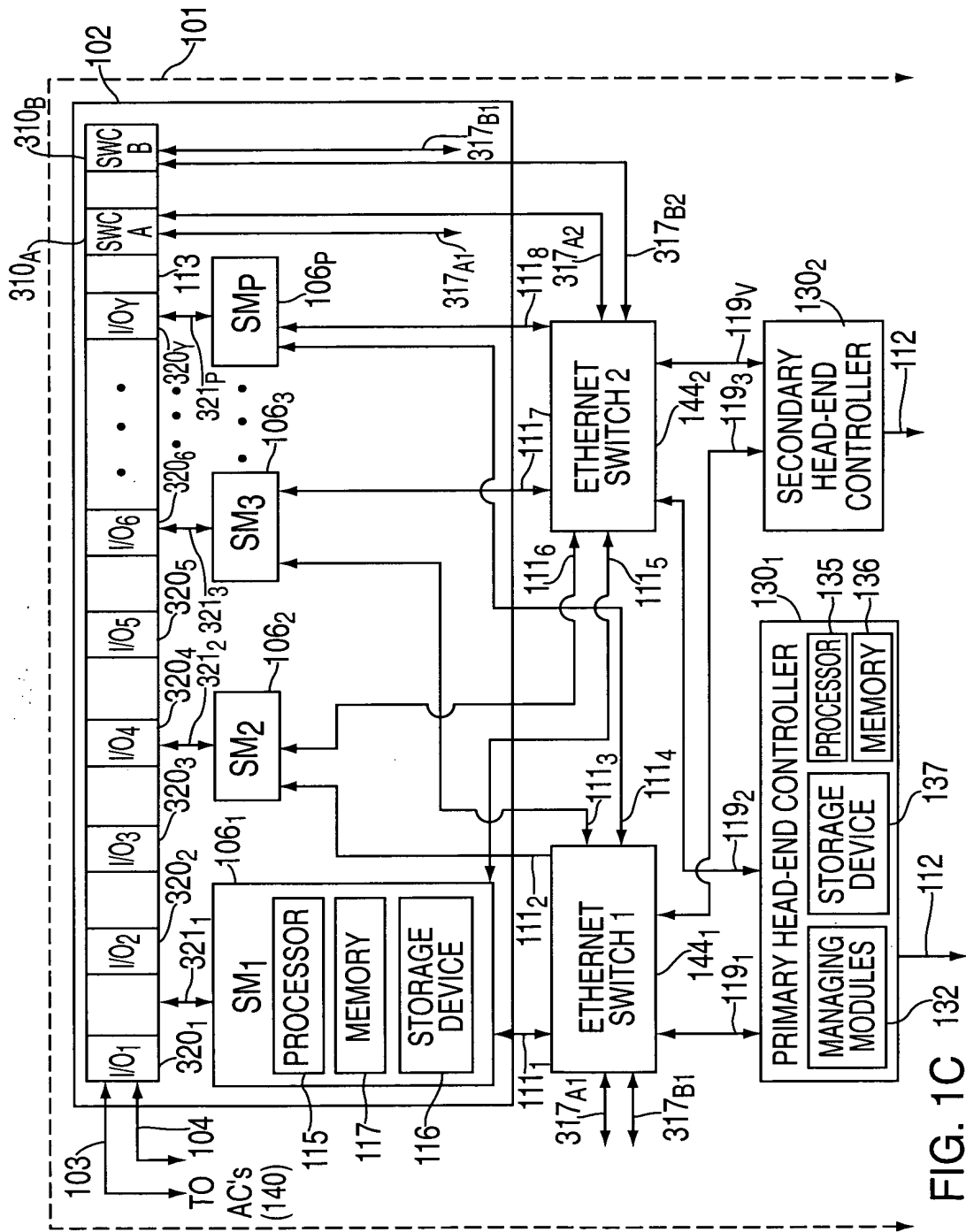


FIG. 1C 132



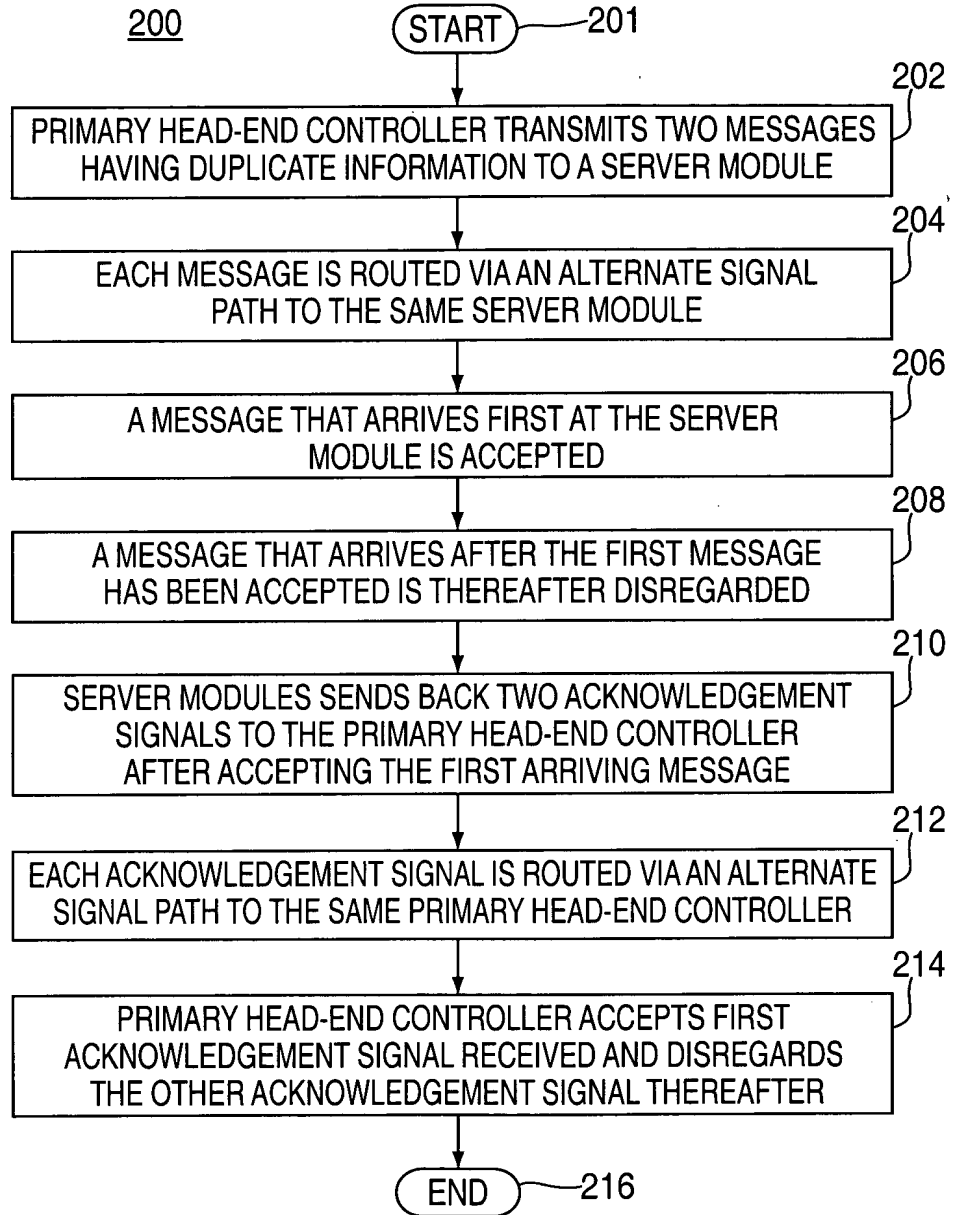
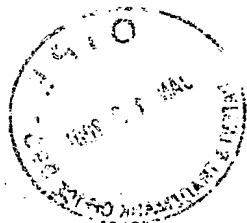


FIG. 2



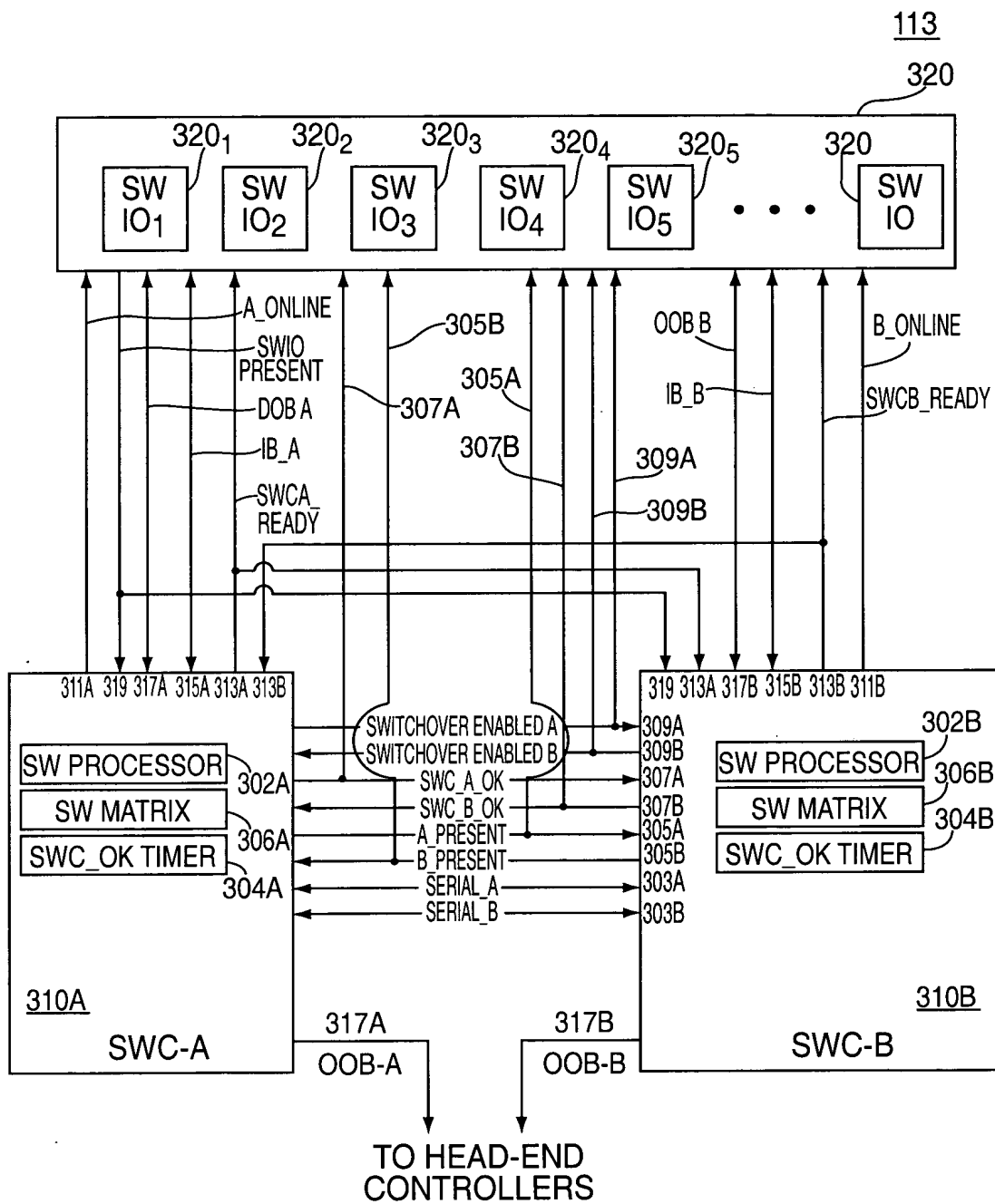
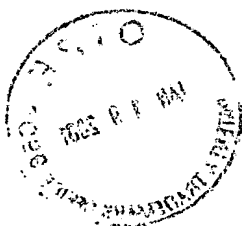


FIG. 3



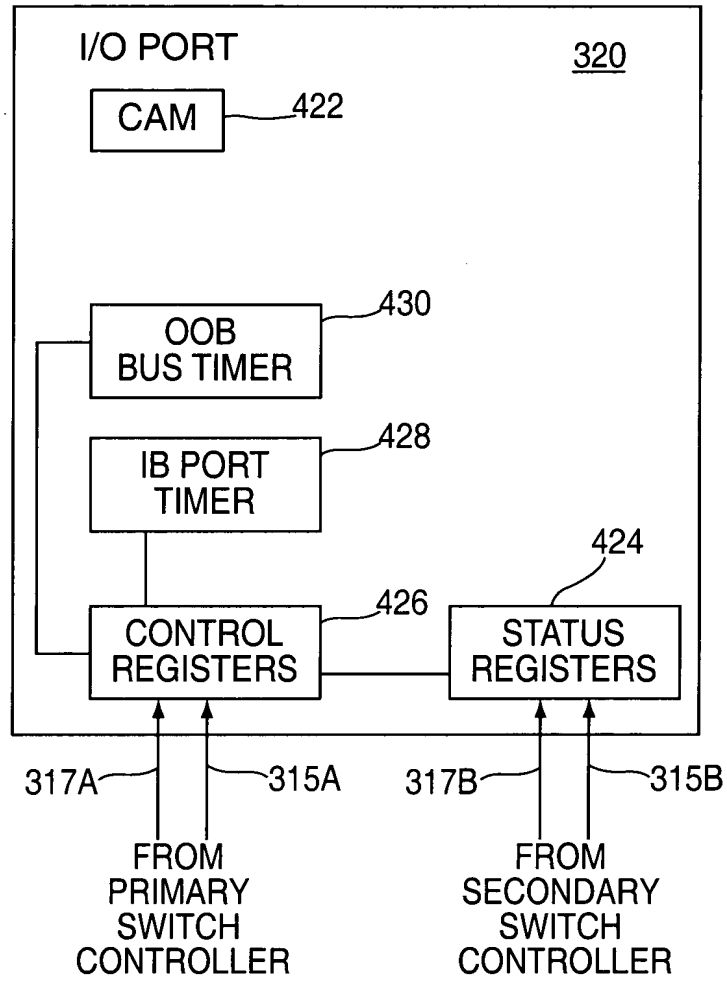


FIG. 4



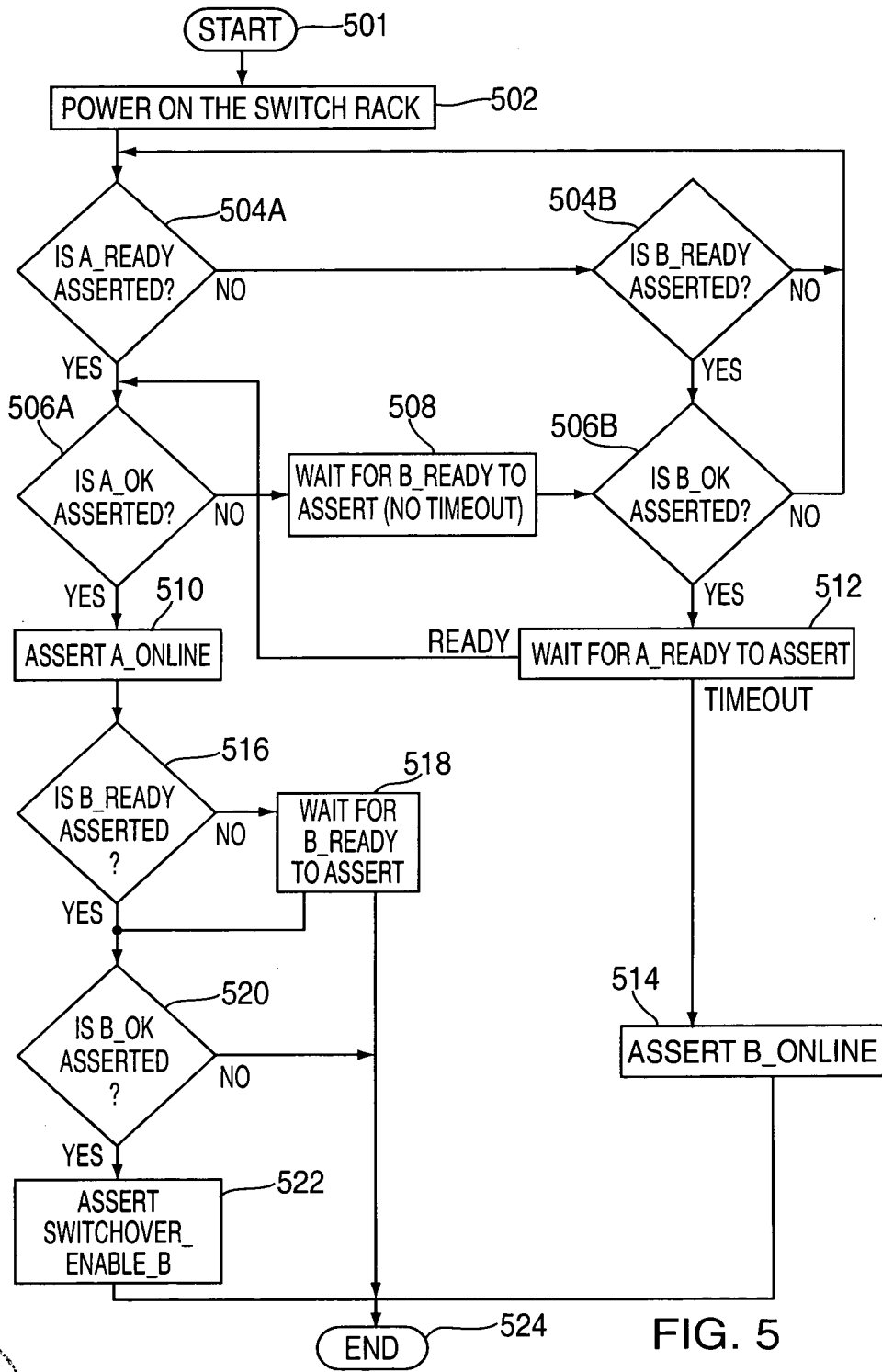
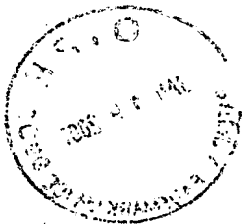


FIG. 5



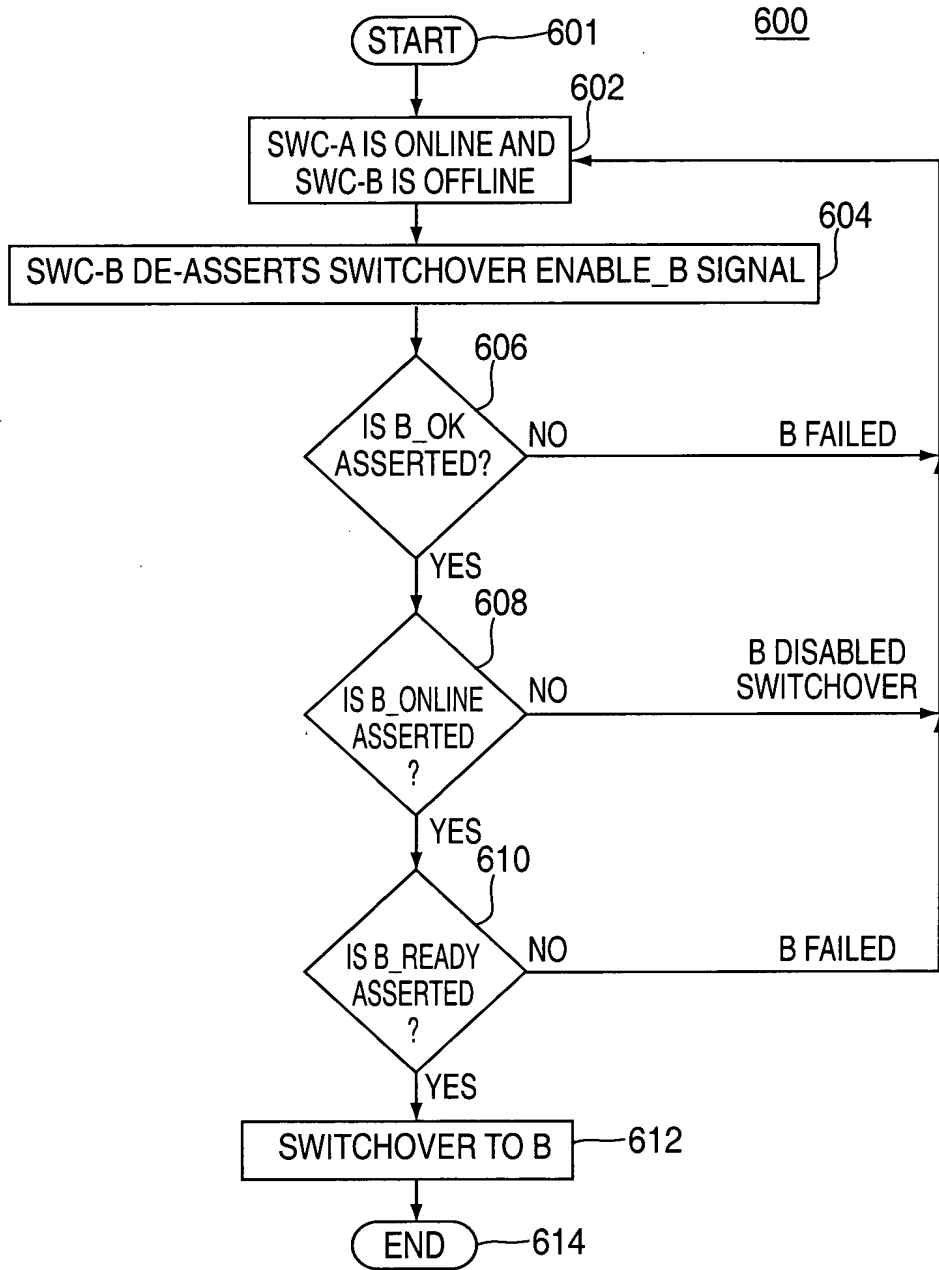


FIG. 6



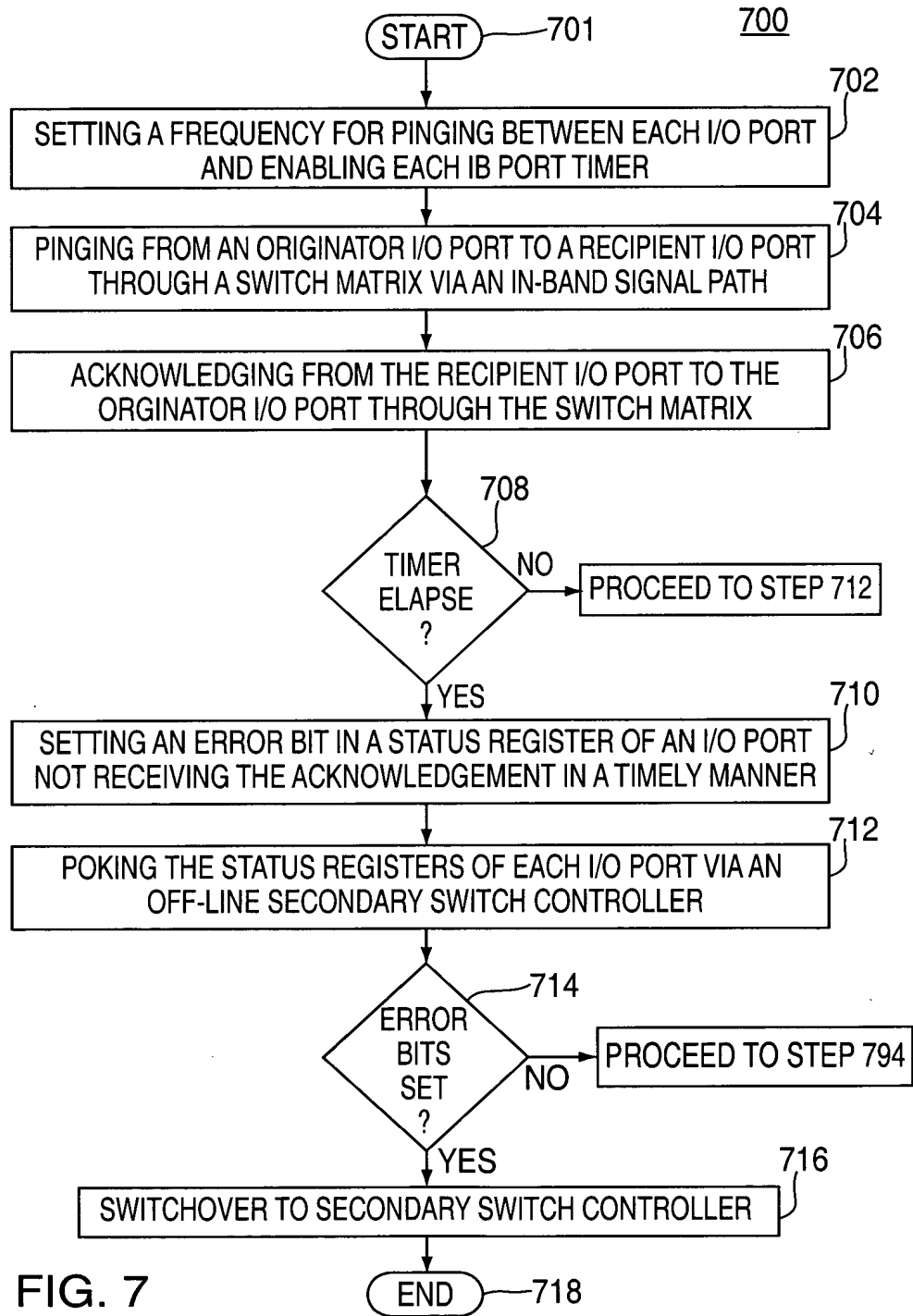


FIG. 7



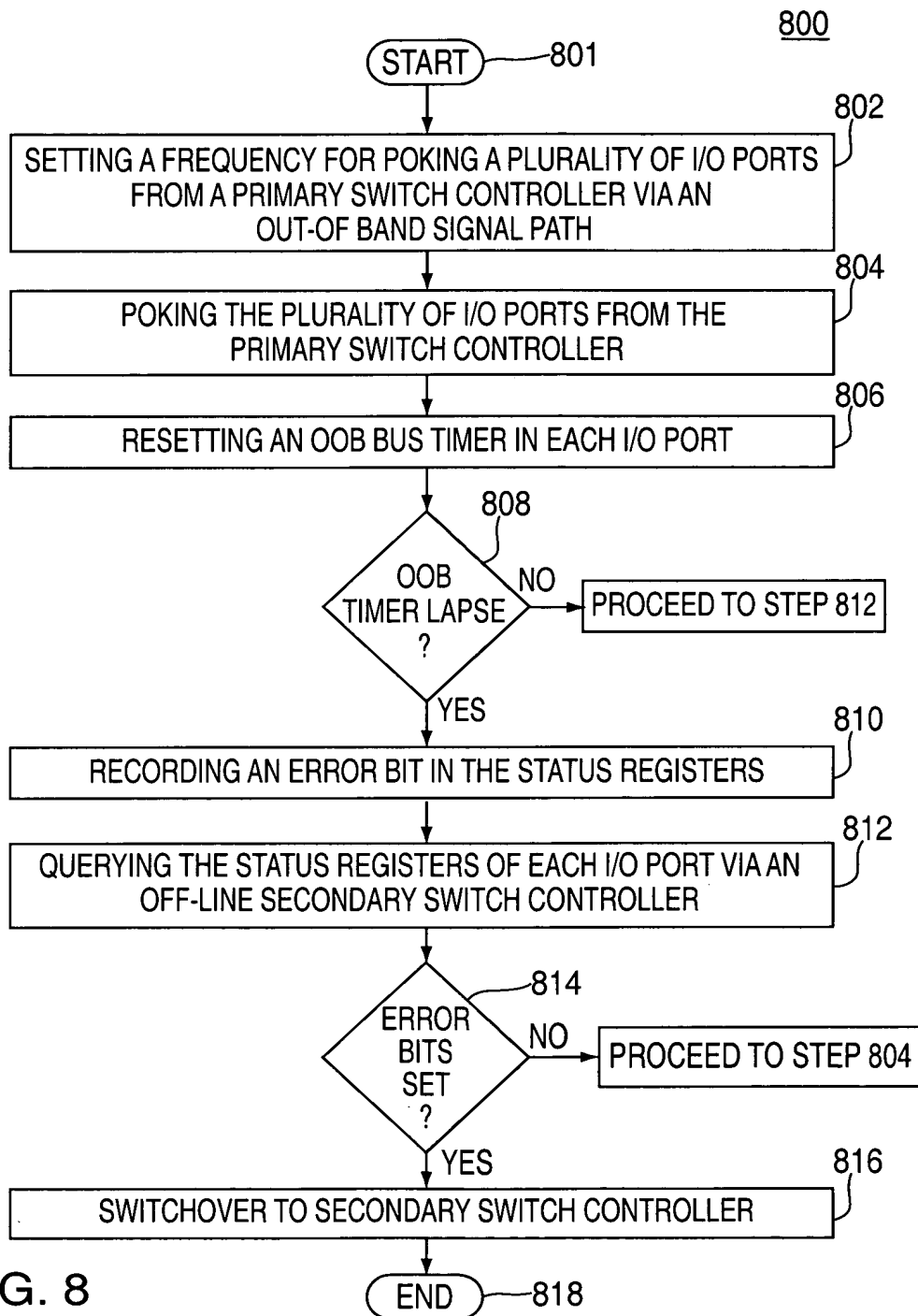


FIG. 8

